

ELMARK[®]

The Brand of Electricity

LED FLOODLIGHT VEGA 70W WITH IR REMOTE CONTROL



Technical data:

- Power: 70W
- Rated voltage: 85V - 265V
- Power supply: low-voltage, direct-current device – driver
- LED type: COB
- Light source: Epistar Taiwan
- Color temperature: RGB
- Housing: aluminum body
- Reflector: mirror aluminum
- Diffuser: heat-resistant glass
- Long life: 30000 hours
- Colour rendering index: Ra>70
- Ambient temperature: -40°C ÷ +65°C
- Beam Angle: 120°
- With the provided remote controller, 16 different colors of lights
- Memory Function: no
- Protection against dust and moisture: IP65

Features:

- Efficient replacement of traditional halogen and metal-halide floodlights
- Wide distribution of even and stable light
- Economic - low power consumption
- Repeated switch on/off does not effect the fixture lifespan
- Instant light at maximum luminous flux
- Environmentally friendly - no mercury and lead
- No ultraviolet and infrared rays
- Resistant to shock and vibration stable body
- Voltage supply fluctuations do not affect the normal operation of the floodlights

TECHNICAL SPECIFICATION

FLOODLIGHTS

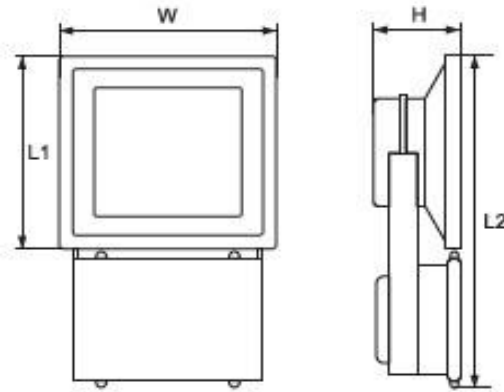
ELMARK[®]

The Brand of Electricity

Area of application:

- Architectural lighting
- Aesthetic building appearance
- Retail environments

Variants and Dimensions:



Model	Watt	Colour temp.	Colour body	Size (mm)			Catalogue number	Packing (pcs)
				L1/L2	W	H		
VEGA70RGB	70W	RGB	grey	235/380	285	80	98VEGA70RGB	4

Barcodes:

3800131177469


98VEGA70RGB

TECHNICAL SPECIFICATION

FLOODLIGHTS


ELMARK[®]

The Brand of Electricity



ELMARK
lighting

98VEGA70RGB




This luminaire contains built-in LED lamps.

A ⁺⁺	}	L E D
A ⁺		
A		
B		
C		
D		
E		

The lamps cannot be changed in the luminaire.

874/2012



EN 55015 • EN 61000-3-2 • EN 61000-3-3 • EN 61547 • EN 60598-1 • EN 60598-2-5 • EN 61347-1 • EN 61347-2-13 • EN 13032-4

